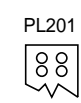
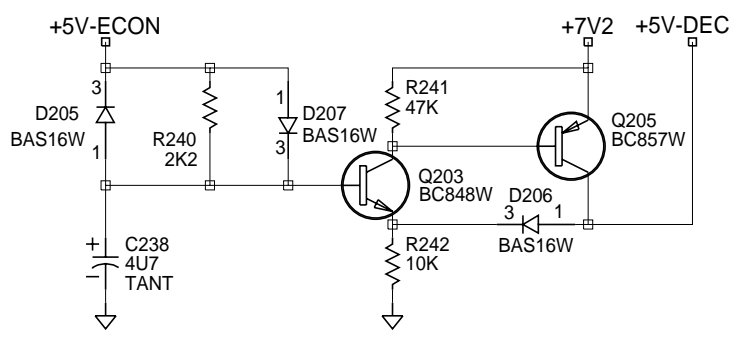


* LOW BAND / HIGH BAND
 ==> REFER TO VARIANTS SHEET.

- SOT23 NPN
 BFS17
 Q201
- SOT323 NPN
 BC848W
 Q203
- SOT323 PNP
 BC857W
 Q205
- SOT323 DIODE
 BAS16W
 D201 D204
 D205 D206
 D207
- SOD323 VARICAP
 BB639
 D202
 D203
- CHIP TANTALUMS

TO PLUG IN VCO



5 WAY TOP ENTRY SKT

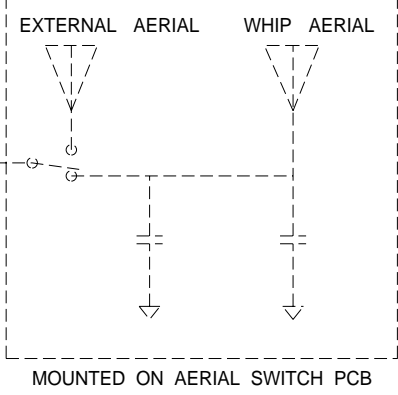
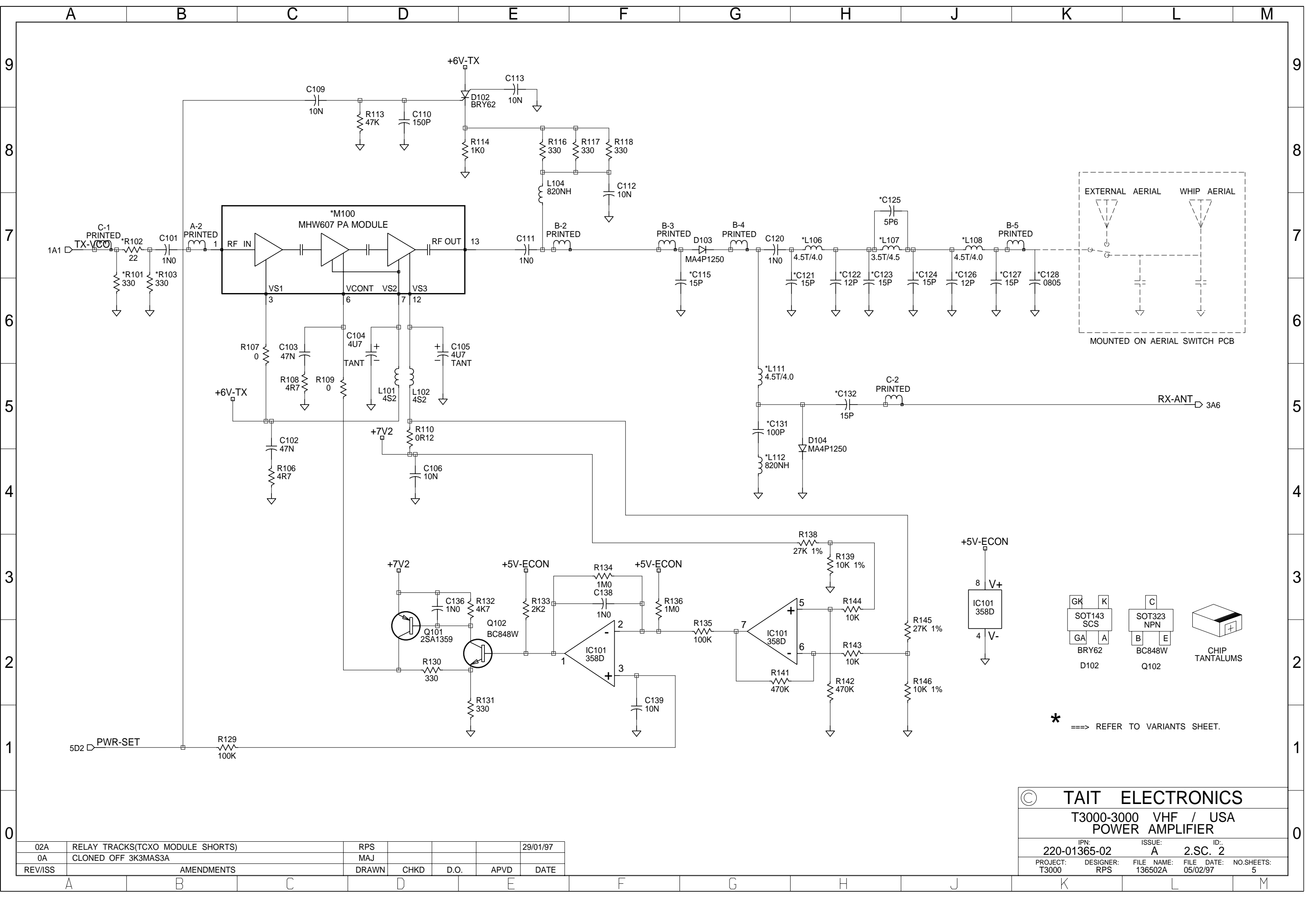
5 WAY TOP ENTRY PLUG

© TAIT ELECTRONICS
 T3000-3000 VHF / USA
 SYNTHESISER

IPN: 220-01365-02 ISSUE: A ID: 2.S.C. 1

PROJECT: T3000 DESIGNER: RPS FILE NAME: 136502A FILE DATE: 05/02/97 NO.SHEETS: 5

02A	RELAY TRACKS(TCXO MODULE SHORTS)	RPS				05/02/97
0A	CLONED OFF 3K3MAS3A	MAJ				
REV/ISS	AMENDMENTS	DRAWN	CHKD	D.O.	APVD	DATE



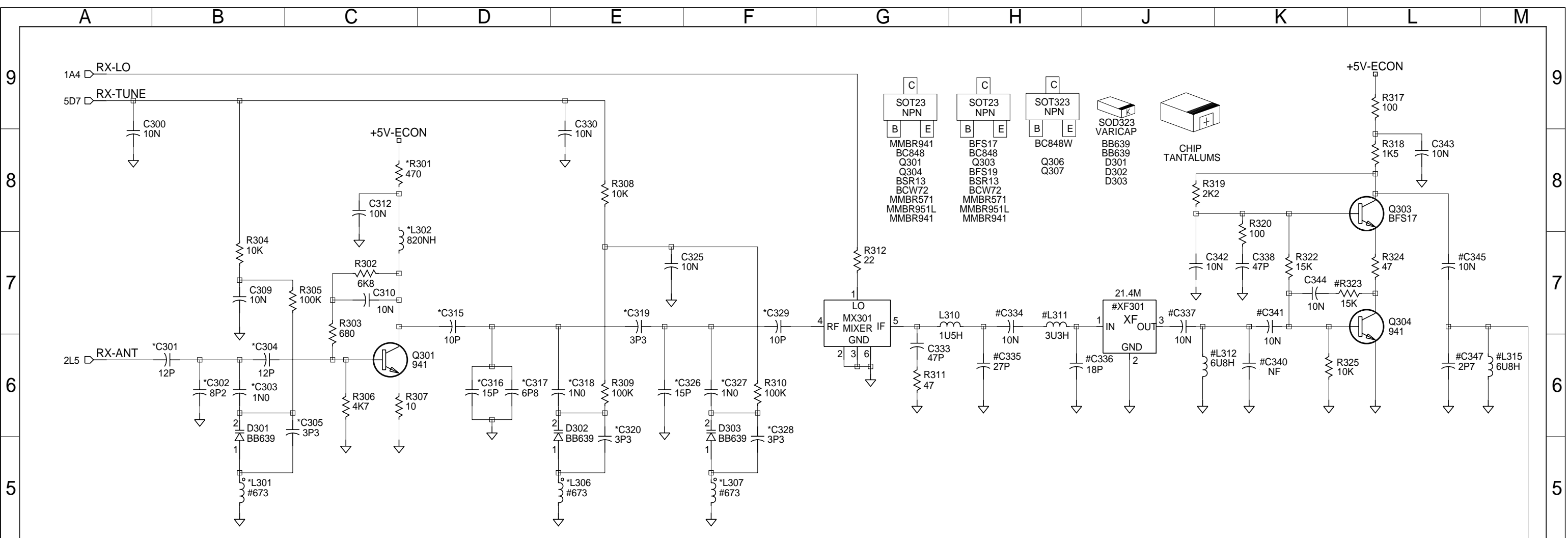
* ==> REFER TO VARIANTS SHEET.

© TAIT ELECTRONICS
 T3000-3000 VHF / USA
 POWER AMPLIFIER

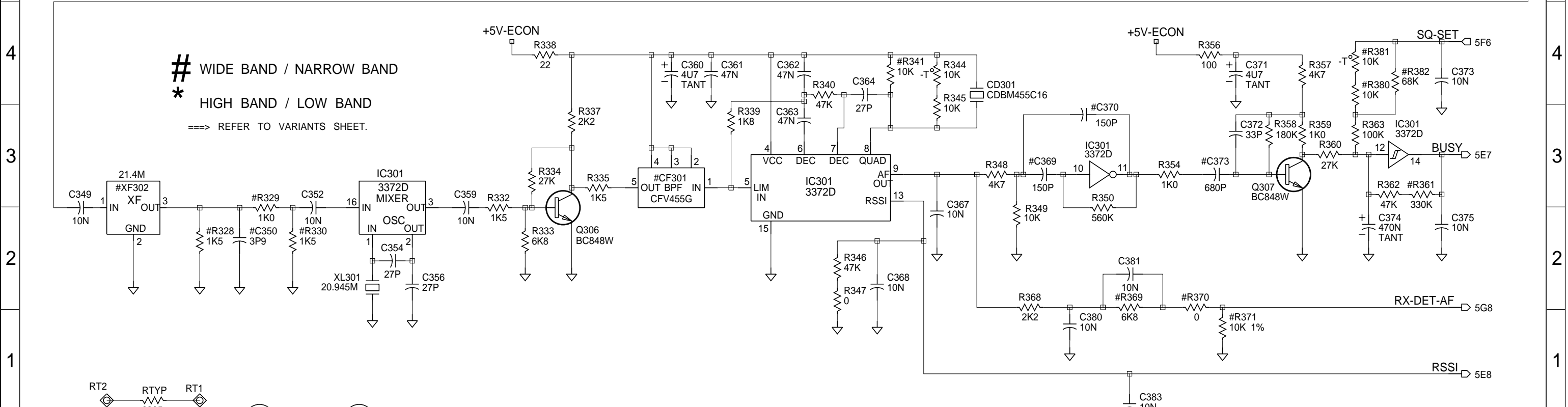
IPN: 220-01365-02 ISSUE: A ID: 2.SC. 2

PROJECT: T3000 DESIGNER: RPS FILE NAME: 136502A FILE DATE: 05/02/97 NO.SHEETS: 5

02A	RELAY TRACKS(TCXO MODULE SHORTS)	RPS				29/01/97
0A	CLONED OFF 3K3MAS3A	MAJ				
REV/ISS	AMENDMENTS	DRAWN	CHKD	D.O.	APVD	DATE



- SOT23 NPN
MMBR941
BC848
Q301
Q304
BSR13
BCW72
MMBR571
MMBR951L
MMBR941
- SOT23 NPN
BFS17
BC848
Q303
BFS19
BSR13
BCW72
MMBR571
MMBR951L
MMBR941
- SOT323 NPN
BC848W
Q306
Q307
- SOD323 VARICAP
BB639
BB639
D301
D302
D303
- CHIP TANTALUMS



© TAIT ELECTRONICS
 T3000-3000 VHF / USA
 RECEIVER
 IPN: 220-01365-02 ISSUE: A ID: 2.SC. 3
 PROJECT: T3000 DESIGNER: RPS FILE NAME: 136502A FILE DATE: 05/02/97 NO.SHEETS: 5

02A	RELAY TRACKS(TCXO MODULE SHORTS)	RPS				29/01/97
0A	CLONED OFF 3K3MAS3A	MAJ				
REV/ISS	AMENDMENTS	DRAWN	CHKD	D.O.	APVD	DATE

P.A.

* LOW BAND / HIGH BAND
 -31X3 -32X3
 -41X3 -42X3

SYNTHESISER

* LOW BAND / HIGH BAND
 -31X3 -32X3
 -41X3 -42X3

RECEIVER

* LOW BAND / HIGH BAND
 -31X3 -32X3
 -41X3 -42X3

DUAL BAND
 -XX03
 NARROWBAND
 -XX23

WIDE BAND
 -XX13
 GERMANBAND
 -XX33

	*FREQ_MHZ	*C115	*C121	*C122	*C123	*C124	*C125	*C126	*C127	*C128	*C131	*C132
T3000-31X3	136-154	15PS200	15PS200	12PS200	15PS200	15PS200	5P6S200	12PS200	15PS200	-	100PJ	15PJ
T3000-32X3	146-174	15PS200	15PS200	12PS200'	15PS200'	15PS200'	6P8S200	12PS200	15PS200	-	100PJ	15PJ
T3000-41X3	174-195	12PS200	12PS200	6P8S200	15PS200	15PS200	3P3S200	6P8S200	12PS200	-	12PJ	12PJ
T3000-42X3	184-208	12PS200	12PS200	6P8S200	15PS200	15PS200	2P7S200	6P8S200	12PS200	-	12PJ	12PJ

	FREQ_MHZ	*L106	*L107	*L108	*L111	*L112		*R101	*R102	*R103		*M100
T3000-31X3	136-154	45H40A	35H45A	45H40A	45H40A	820NHU2		330J	22J	330J		MHW607-1
T3000-32X3	146-208	55H30A	35H35A	45H35A	35H45A	820NHU2		330J	22J	330J		MHW607-2
T3000-41X1	174-195	45H30A	55H25A	35H40A	35H40A	330NHU		150J'	47J	150J		MHW607-3
T3000-42X3	184-208	45H30A	55H25A	35H40A	35H40A	330NHU		150J	47J	150J		MHW607-4

	FREQ_MHZ	*R224
T3000-31X3	136-154	3K3S
T3000-32X3	146-174	3K3S
T3000-41X3	174-195	3K9S'
T3000-42X3	184-208	3K9S

PACKAGECODES

*J 0603 CHIP
 *S200 0805 200V CHIP CAP
 *S1 0805 1% CHIP RES
 *S 0805 CHIP
 *T 1206 CHIP
 *U 1210 CHIP INDUCTOR

	FREQ_MHZ	*C301	*C302	*C303	*C304	*C305	*C315	*C316	*C317	*C318	*C319	*C320	*C326	*C327	*C328	*C329
T3000-31X3	136-154	12PJ	8P2J	1N0J	12PJ	3P3J	10PJ	15PJ	6P8J	1N0J	3P3J	3P3J	15PJ	1N0J	3P3J	10PJ
T3000-32X3	146-174	18PJ	15PJ	1N0J	18PJ	1P8J	8P2J	18PJ	6P8J	1N0J	3P3J	1P8J	18PJ	1N0J	1P8J	8P2J
T3000-41X3	174-195	18PJ'	18PJ'	150PJ	18PJ'	2P7J'	10PJ'	22PJ'	4P7J'	150PJ	4P7J	1P0J	22PJ	150PJ	1P0J	10PJ
T3000-42X3	184-208	18PJ	18PJ	150PJ	18PJ	2P7J	10PJ	22PJ	4P7J	150PJ	4P7J	1P0J	22PJ	150PJ	1P0J	10PJ

	FREQ_MHZ	*L301	*L302	*L306	*L307	*R301
T3000-31X3	136-154	673	820NHU2	673	673	470S
T3000-32X3	146-174	672	820NHU2	672	672	470S
T3000-41X3	174-195	671	330NHU	671	671	560S'
T3000-42X3	184-208	671	330NHU	671	671	560S

	#BANDWIDTH	#C334	#C335	#C336	#C337	#C340	#C341	#C345	#C347	#C350	#C369	#C370	#C373
T3000-XX23	7.5KHZ	10NJ	27PJ	18PJ	10NJ	-	10NJ	10NJ	2P7J	3P9J	150PS	150PS	680PS
T3000-XX13	15KHZ	100PJ	27PJ	12PJ	10NJ	1P8J	22PJ	10PJ	3P3J	-	120PS	120PS	180PS
T3000-XX33	12KHZ	10NJ	27PJ'	15PJ'	10NJ'	5P6J	10NJ'	10NJ'	1P8J'	2P7J	120PS	120PS	180PS
T3000-XX03	DUAL	10NJ	27PJ	18PJ	10NJ	-	10NJ	10NJ	2P7J	3P9J	120PS	120PS	680PS

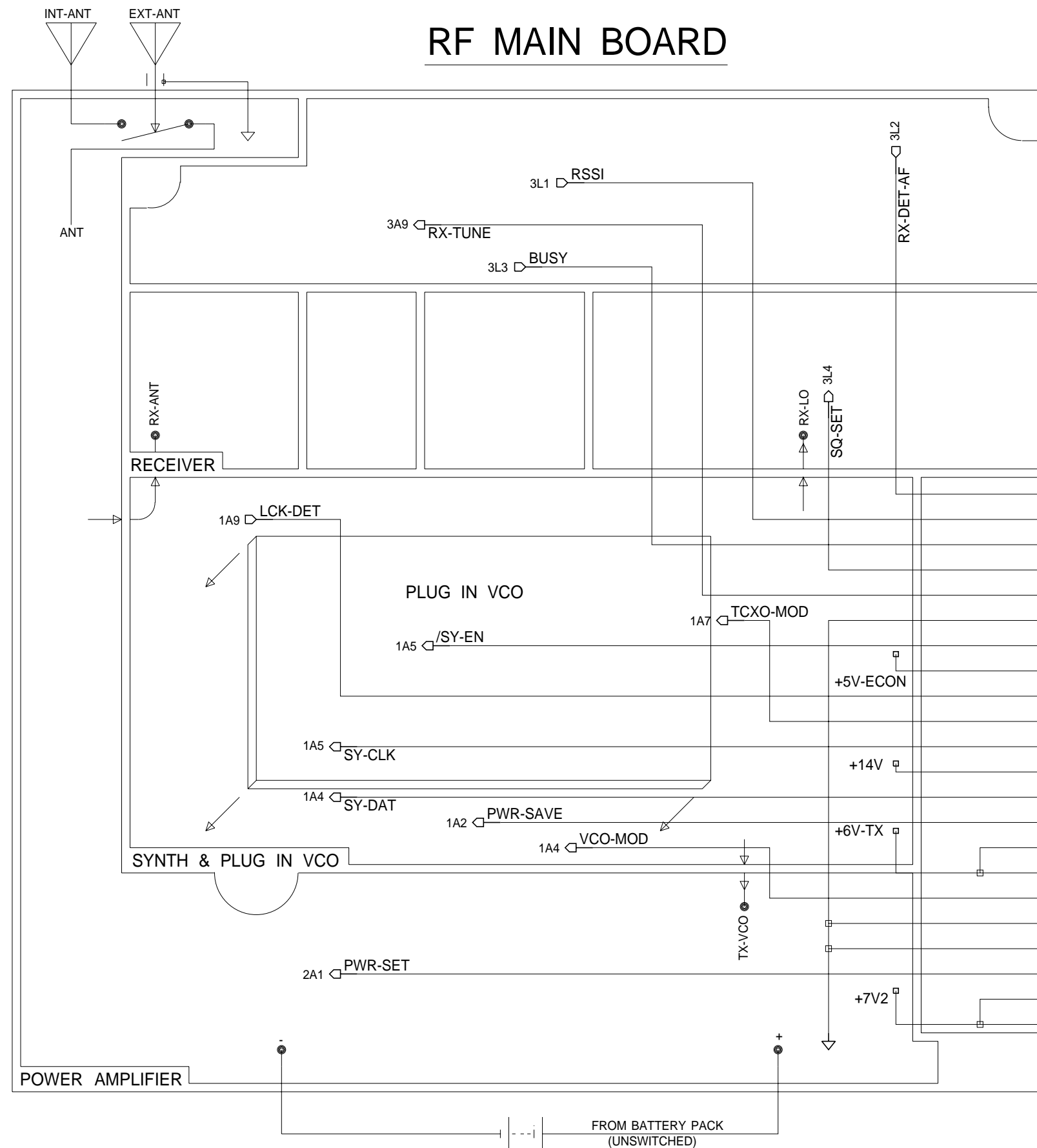
	BANDWIDTH	#R323	#R328	#R329	#R330	#R341	#R361	#R369	#R370	#R371	#R380	#R381	#R382
T3000-XX23	7.5KHZ	15KJ	1K5J	1K0J	1K5J	10KJ	330KS	6K8S	0S	10KS1	10KJ	10KSNTC	68KS
T3000-XX13	15KHZ'	10KJ	3K3J	2K2J	4K7J	4K7J	560KS	4K7S	1K5S	10KS1	-	-	22KS
T3000-XX33	12KHZ	15KJ'	1K5J'	1K0J'	1K5J'	6K8J'	820KS	6K8S'	4K7S	10KS1	10KJ	10KSNTC	47KS
T3000-XX03	DUAL	15KJ	1K5J	1K0J	1K5J	4K7J	330KS	6K8S	0S	10KS1	10KJ	10KSNTC	68KS

	BANDWIDTH	#L311	#L312	#L315	#XF301	#XF302	#CF301
T3000-XX23	7.5KHZ	33NHU	-	-	21N7.5A	21N7.5A	CFV455G
T3000-XX13	15KHZ'	3U3HU2	6U8HU2	6U8HU2	21N15A	21N15A	CFV455D'
T3000-XX33	12KHZ	820NHU2	6U8HU2	-	21N12A	21N12A	CFV455E
T3000-XX03	DUAL	33NHU	-	-	21N7.5A	21N7.5A	CFV455G

© TAIT ELECTRONICS
 T3000-3000 VHF / USA
 VARIANT COMPONENTS
 IPN: 220-01365-02 ISSUE: A ID: 2.SC. 4
 PROJECT: T3000 DESIGNER: RPS FILE NAME: 136502A FILE DATE: 05/02/97 NO.SHEETS: 5

02A	RELAY TRACKS(TCXO MODULE SHORTS)	RPS				29/01/97
0A	CLONED OFF 3K3MAS3A	MAJ				
REV/ISS	AMENDMENTS	DRAWN	CHKD	D.O.	APVD	DATE

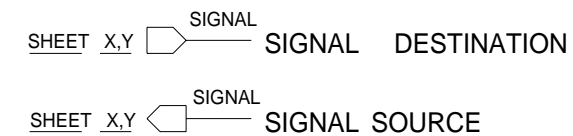
RF MAIN BOARD



THRU FLEXIBLE PCB
TO CONTROL BOARD

- 1 RX-DET-AF
- 2 RSSI
- 3 BUSY
- 4 SQ-SET
- 5 RX-TUNE
- 6 GND
- 7 /SY-EN
- 8 +5V-ECON
- 9 LCK-DET
- 10 TCXO-MOD
- 11 SY-CLK
- 12 +14V
- 13 SY-DAT
- 14 PWR-SAVE
- 15 +6V-TX
- 16 +6V-TX
- 17 VCO-MOD
- 18 GND
- 19 DGND
- 20 PWR-SET
- 21 +7V2
- 22 +7V2

OFF PAGE CONNECTORS



PACKAGECODES

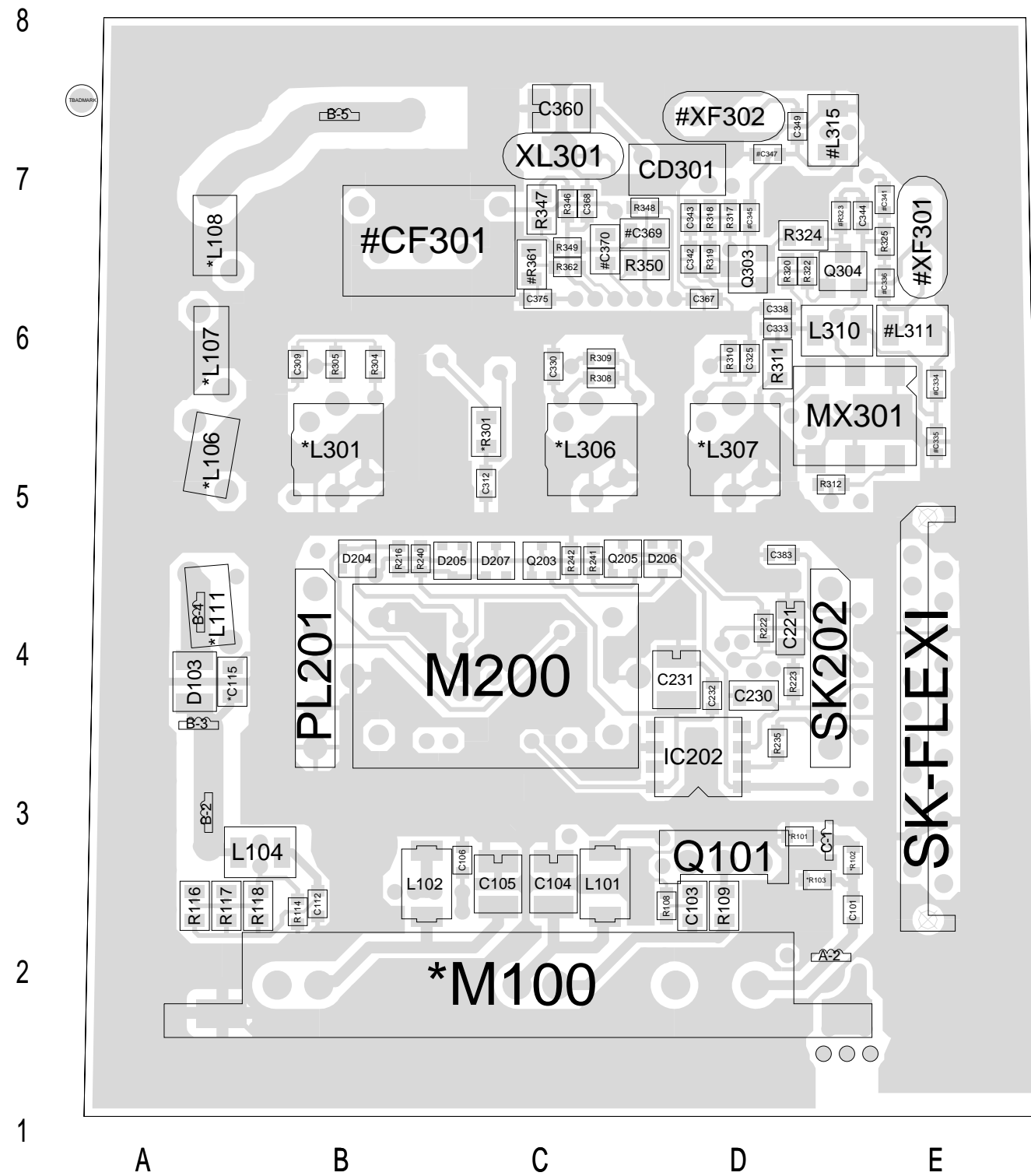
- *J 0603 CHIP
- *S200 0805 200V CHIP CAP
- *S1 0805 1% CHIP RES
- *S 0805 CHIP
- *T 1206 CHIP
- *U 1210 CHIP INDUCTOR



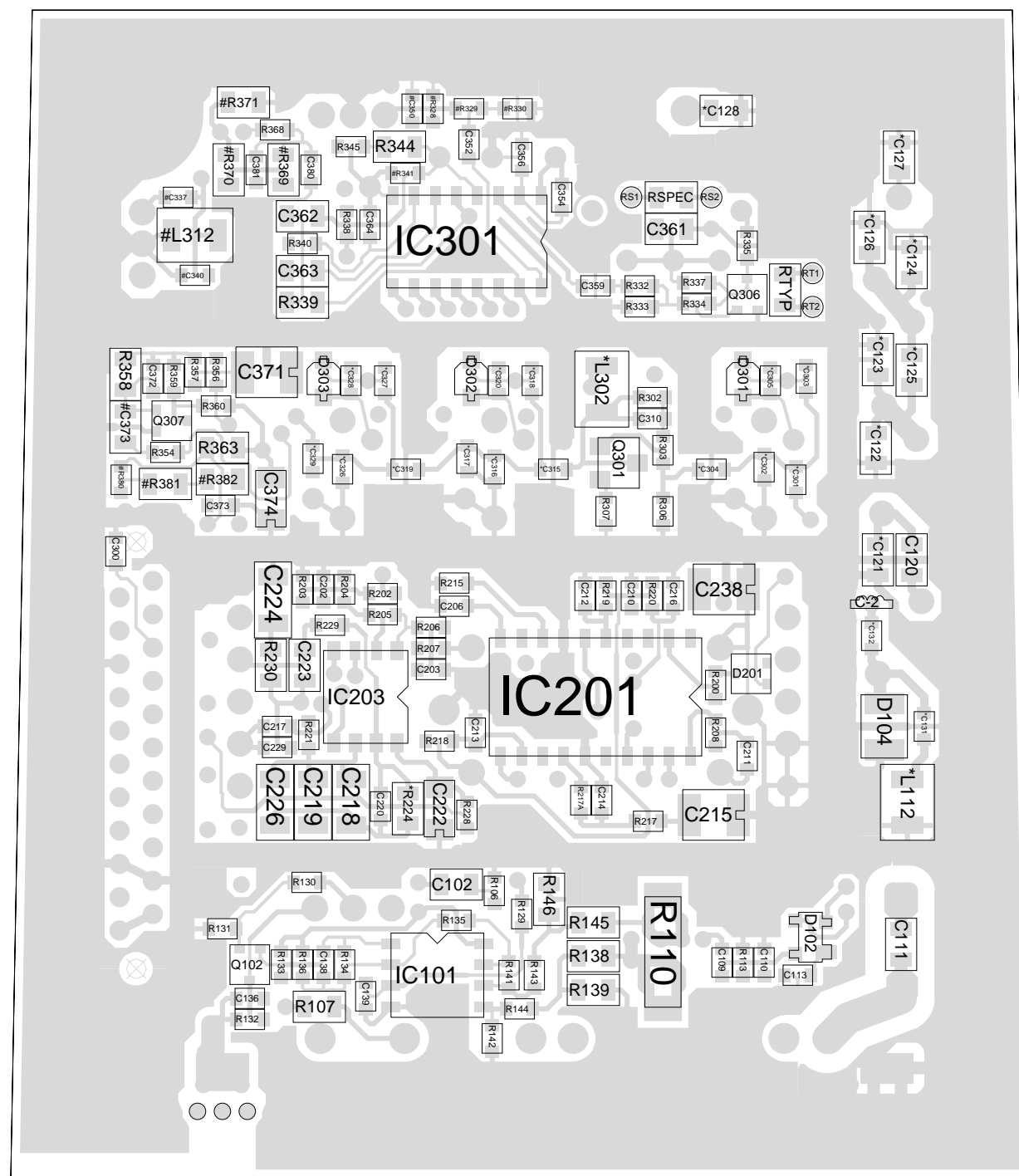
© TAIT ELECTRONICS
T3000-3000 VHF / USA
INTERCONNECTION DIAGRAM

IPN: 220-01365-02 ISSUE: A ID: 2.S.C. 5
PROJECT: T3000 DESIGNER: RPS FILE NAME: 136502A FILE DATE: 05/02/97 NO.SHEETS: 5

02A	RELAY TRACKS(TCXO MODULE SHORTS)	RPS				29/01/97
0A	CLONED OFF 3K3MAS3A	MAJ				
REV/ISS	AMENDMENTS	DRAWN	CHKD	D.O.	APVD	DATE



TOP COPPER 3K3 USA
220-01365-02



BOTTOM COPPER 3K3 USA
220-01365-02